

Dryflow D-Flow

Recommended traffic:

<500 uses a day

riba
product
selector

nbsPlus

nbs
BIM

Stylish, fast drying and energy efficient

- A very stylish European manufactured hand dryer, made of strong ABS.
- Very energy efficient with fast dry times. Can be manually adjusted from a "Turbo" mode to an "Eco" mode at the turn of a dial and a switch turns on a heater element, should it be required.
- The reduced motor speed can be used to lower sound levels in noise sensitive areas.
- You can run this at just 420W for enhanced energy efficiency, ideal for minimising running costs.
- It has proven antimicrobial and antibacterial protection using silver ion technology from Biocote®, resisting the growth of microbes e.g. bacteria and moulds. There is also a H13 HEPA filter with antimicrobial treatment which deters the spread of bacteria and ensures clean air is blown on the hands.
- Slipping hazards are minimised with residual water collected in a drip tray to stop floors becoming wet. A valve allows the collected water to be released without the necessity of removing parts.
- An optional waste management kit can be purchased. The hand dryer can be directly connected to a waste pipe minimising ongoing servicing needs.
- An LED display system indicates when the drip tray is full or when there is a malfunction – great information for cleaning and maintenance teams

Approx. cost per 1000 dries:

 28p - 60p

Guarantee period:

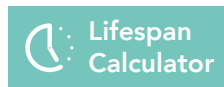
 3 Years



Dryflow D-Flow

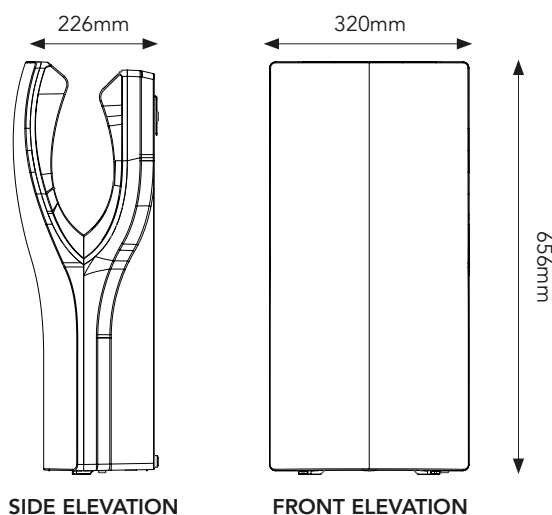
Electrical Supply Voltage	220-240 V
Electrical Supply Frequency	50/60 Hz
Expected Motor Life	3000 Hours
Dry Time Range	10 – 15 Seconds
Rated Power	0.42 – 1.5 kW
Approx. Watt-Hours per Dry	2.33 – 5 Wh
Heater Element Power	400 W
Operating Sound Level	62 – 72dB at 2M
Motor Speed	19000 – 32000 RPM
Air Speed	260 MPH
Operating Temperature Range	At ambient temp (21°C) – 33°C
Motor Cut off Time	30 Seconds
Motor Class	Class I
Materials	ABS
Weight	8.3 kg
Finishes Available and Codes	Silver (DF01G) / White (DF01W) / Black (DF01B)
IP rating	IPX4 (Protection from splashed water)
Cable Entry Point	Rear, with access available from bottom

Online information



Installation summary

- Mounting template provided to position the drill holes correctly
- Metal plate support is screwed to the wall using 3 screws provided
 - Connect power supply from fuse spur to hand dryer terminal and connect all other electrical requirements
 - Hang the hand dryer onto the metal support
 - Remove the water tray and use the 2 screws provided for fixing the appliance completely to the wall
 - Replace the water tray back onto the hand dryer



CE, 2014/35/EU, 2014/30/EU & 2011/65/EU, 2016/C 249 03 (LVD), 2012/C 363/05 (RoHS), 2016/C 293 03 (EMC), VDE, EMC, DIN EN 55014-1 (VDE 0875-14-1):2012-05, EN 55014-1:2006+A1:2009+A2:2011, DIN EN 61000-3-2 (VDE 0838-2):2015-03, EN 61000-3-2:2014, DIN EN 61000-3-2:2014, DIN EN 61000-3-3:2013, DIN EN 55014-2 (VDE 0875-14-2):2009-06, EN 55014-2:1997+A1:2001+A2:2008, VDE, GS, DIN EN 60335-1 (VDE 0700-1):2012-10, EN 60335-1:2012, DIN EN 60335-1 Ber.1 (VDE 0700-1 Ber.1):2014-04, EN 60335-1:2012/AC:2014, EN 60335-1:2012/A11:2014, DIN EN 60335-2-23 (VDE 0700-23):2015-06, EN 60335-2-23:2003+A1+A11+A11/AC+A2:2015, DIN EN 62233 (VDE 0700-366):2008-11, EN 62233:2008 DIN EN 62233 Ber.1 (VDE 0700-366 Ber.1):2009-04, EN 62233 Ber.1:2008, UL

For more information

intelligenthanddryers.com

+44 (0) 114 354 0047

sales@ihdryers.co.uk

Intelligent Facility Solutions

Electric Works,

3 Concourse Way,

Sheffield

S1 2BJ